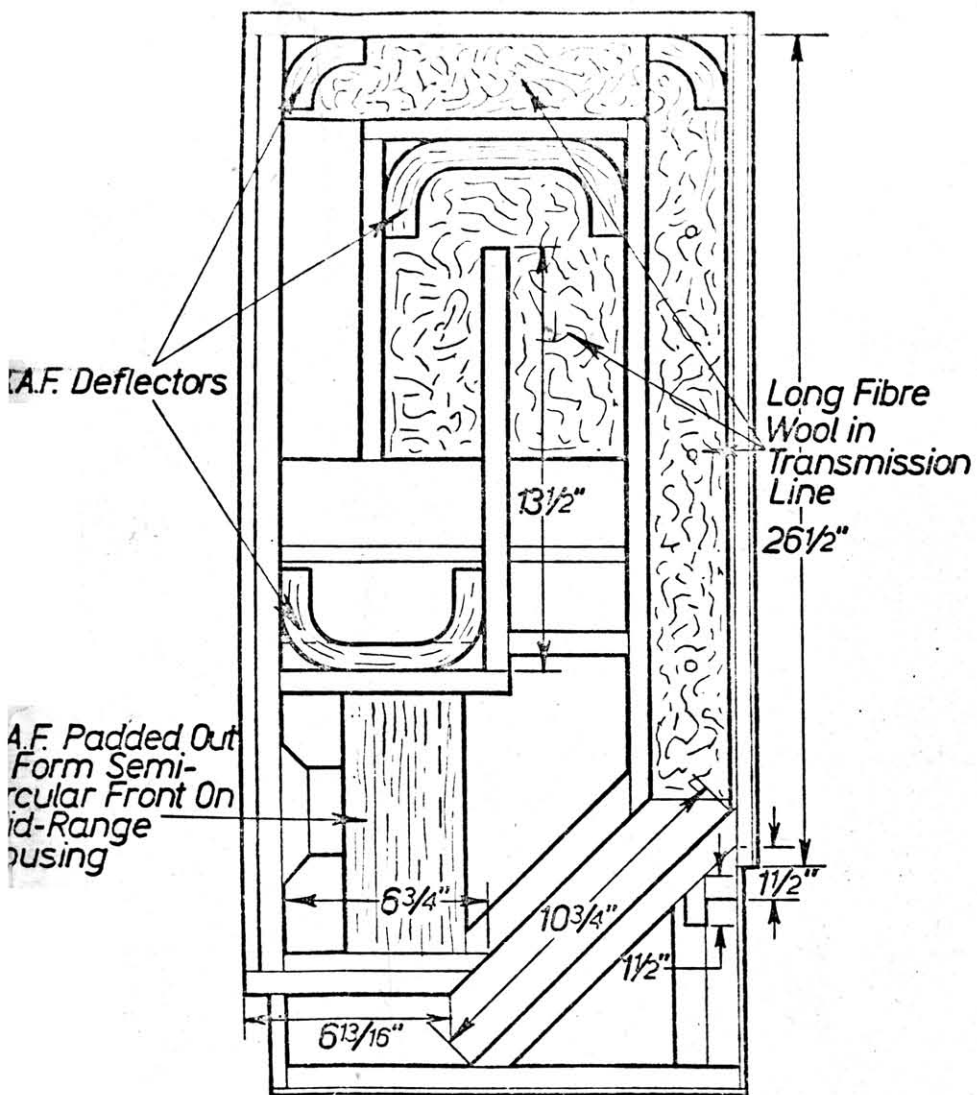
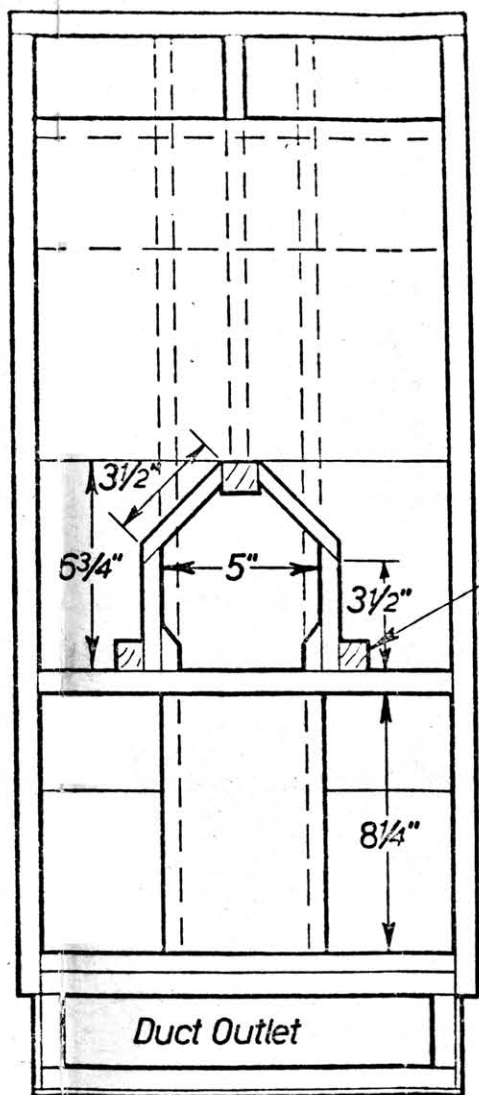


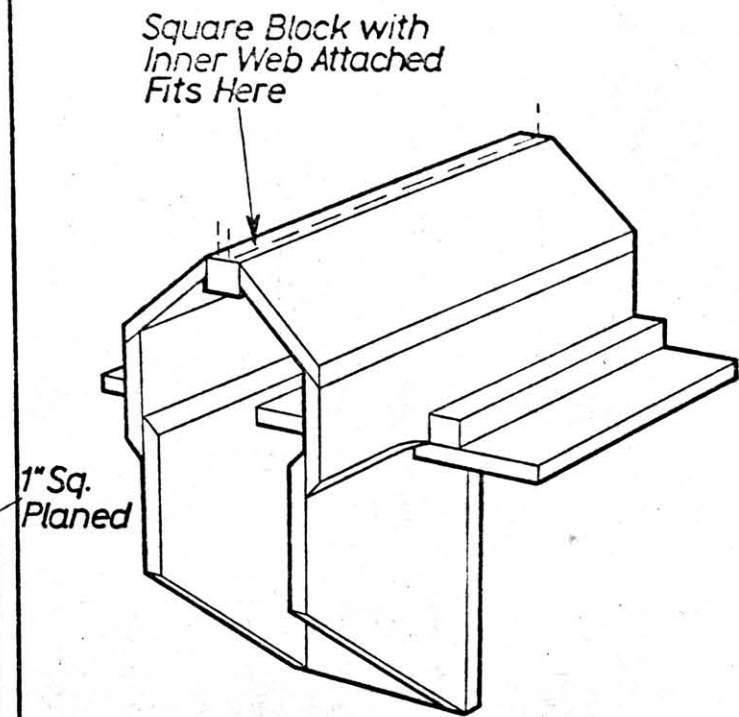
* As per Kef Template



SIDE ELEVATION (SIDE REMOVED)
Hardboard Front Panels Not Shown

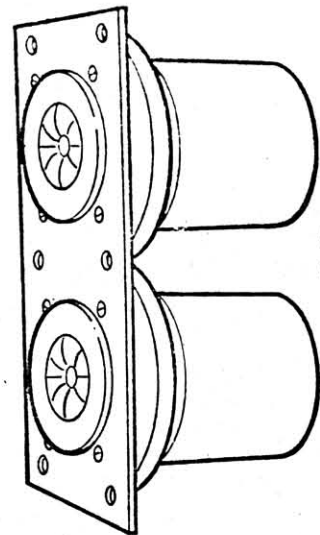
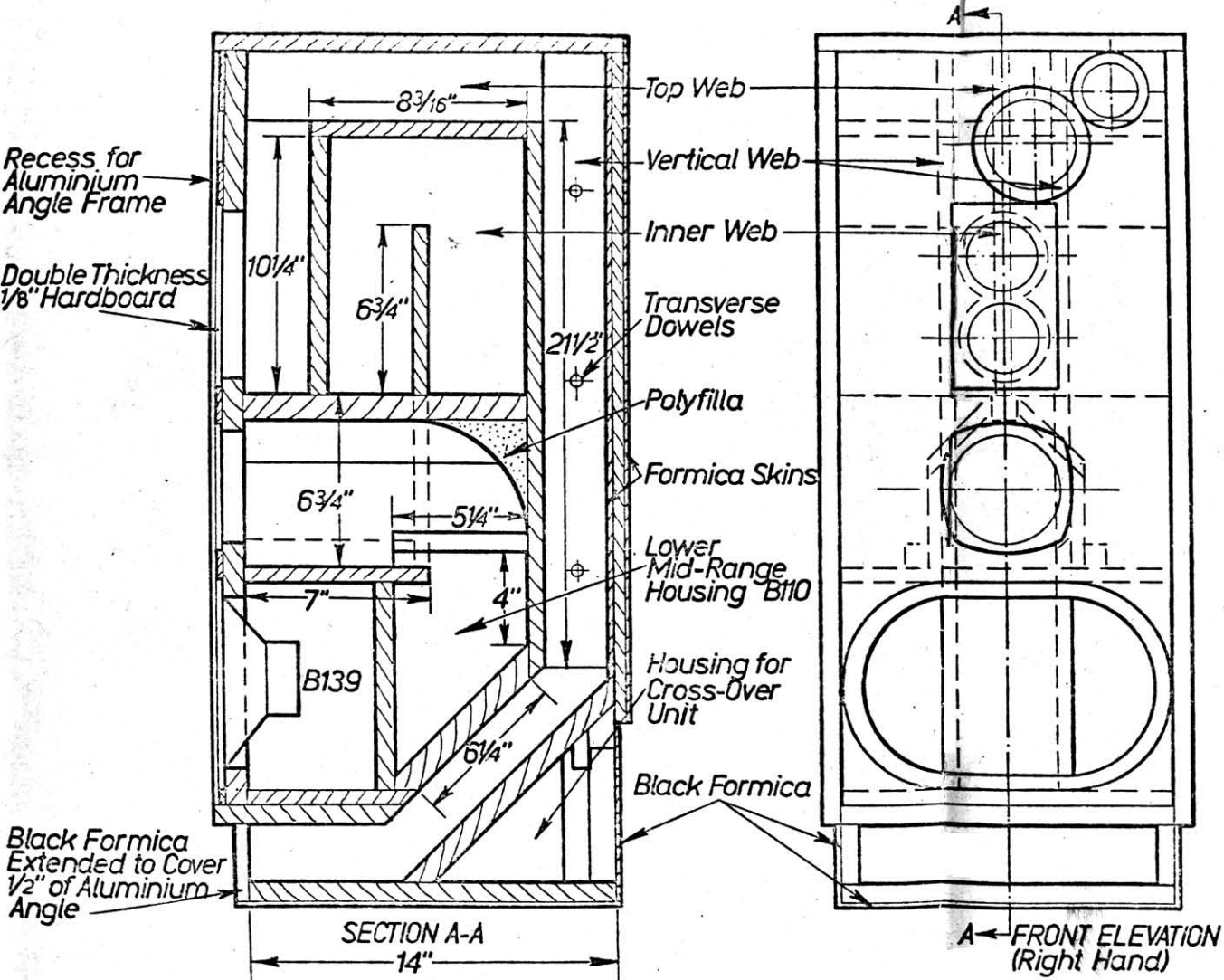


FRONT ELEVATION
(Front Removed)

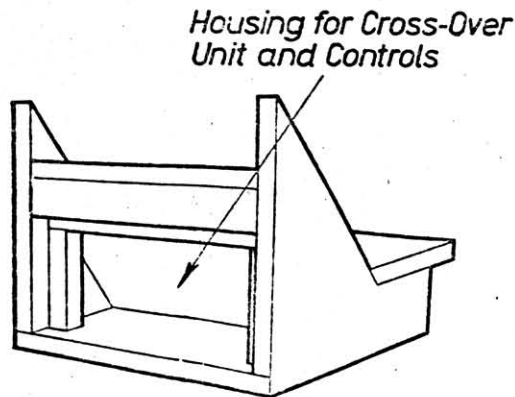


PICTORIAL VIEW OF LOWER MID RANGE HOUSING
Seen From Rear
(with back removed)
1/2" Chipboard

Note Rear panel, 1/2 in. chipboard laminated Formica on both surfaces.
Front panel, 3/4 in. chipboard clad with two layers 1/8 in. hardboard.



Celestion 1300 Sub-Assembly To Permit Front Mounting



REAR VIEW OF PLINTH SUB-ASSEMBLY