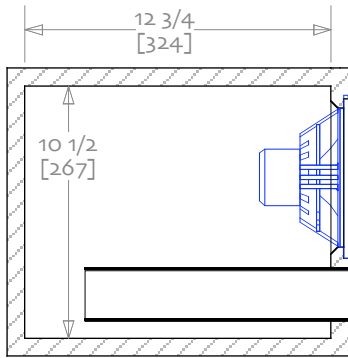


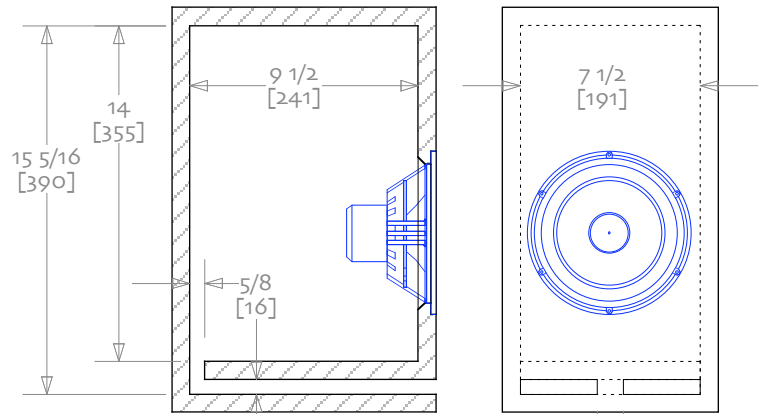
Vented SDX7

Sheet 1 – Example Designs

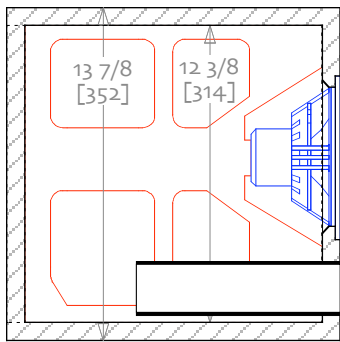
Here are a some SDX7 vented enclosures that are based on 2 different tunings, with 1 and with 2 drivers. The boxes are small with long ports. The aspect ratio of the illustrated boxes are cubes unless constrained by a desire to maintain an unfolded port.



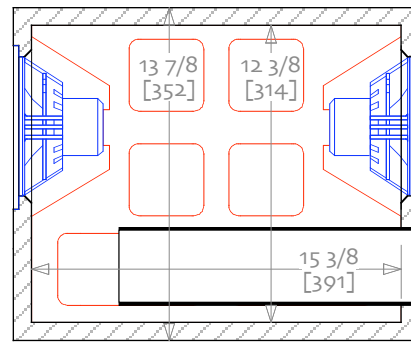
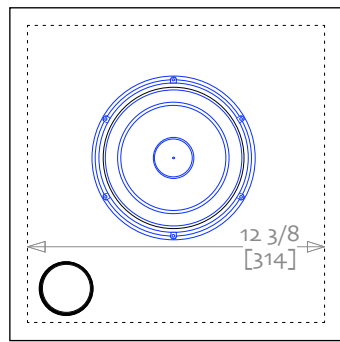
14 litres = 1/2 ft³
1 SDX7 tuned to 35 Hz 2" port 11" long (12" if flared)



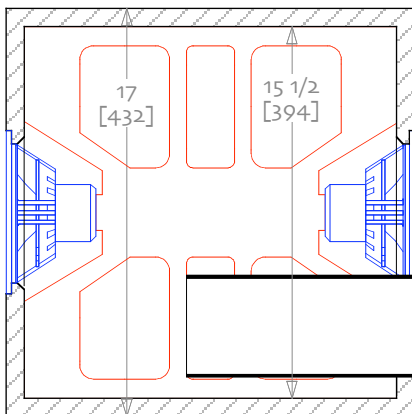
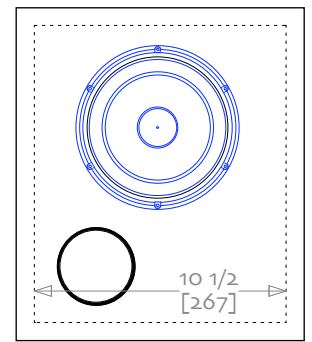
14 litres = 1/2 ft³
1 x SDX7 tuned to 35 Hz with slot port



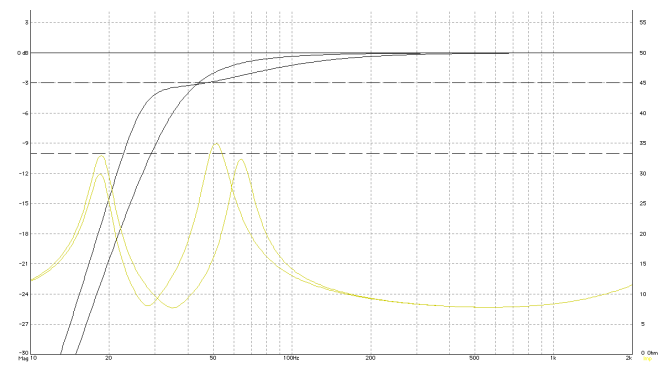
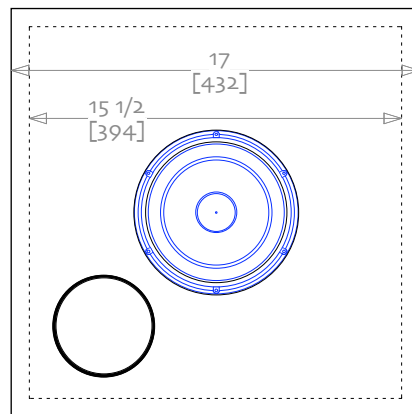
28 litres = 1 ft³
1 SDX7 tuned to 28 Hz 2" port 8.5" long (9.5" if flared)



28 litres = 1 ft³
2 SDX7 tuned to 35 Hz 3" port 12.5" long (13.5" if flared)



56 litres = 2 ft³
2 SDX7 tuned to 28 Hz 4" port 9.5" long (10.5" if flared)



Notes:

o/ examples use 3/4" (19mm) material

1/ all boxes have been sized to accomodate a brace (some show brace)

