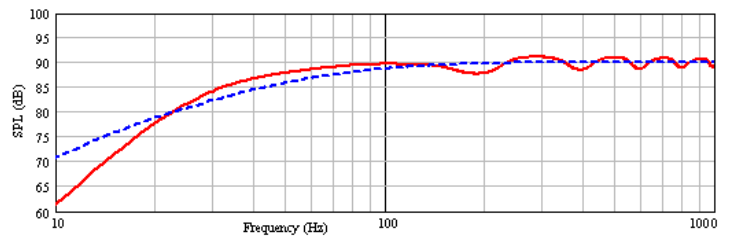
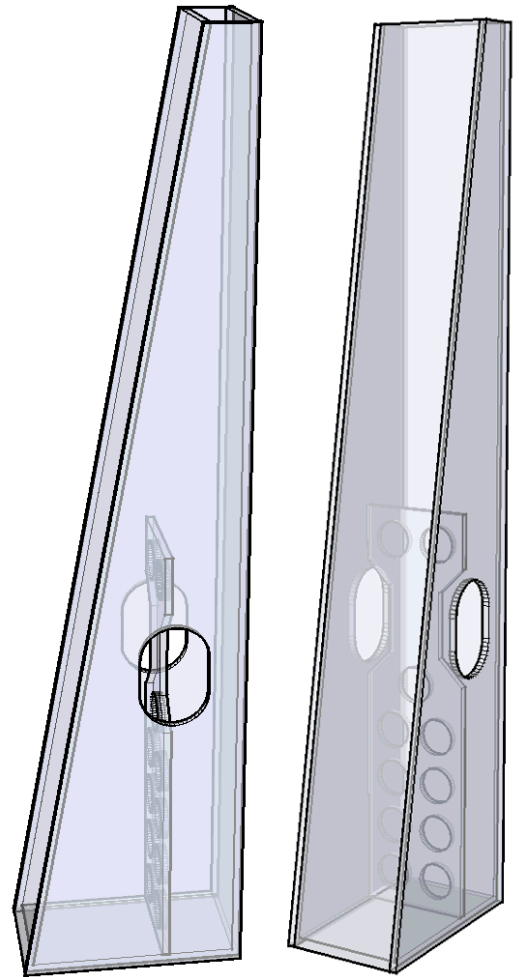
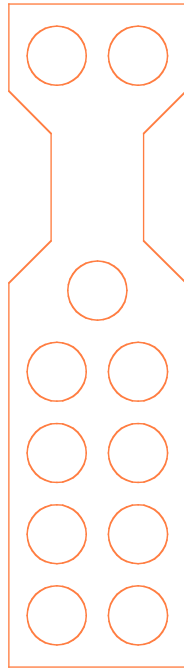
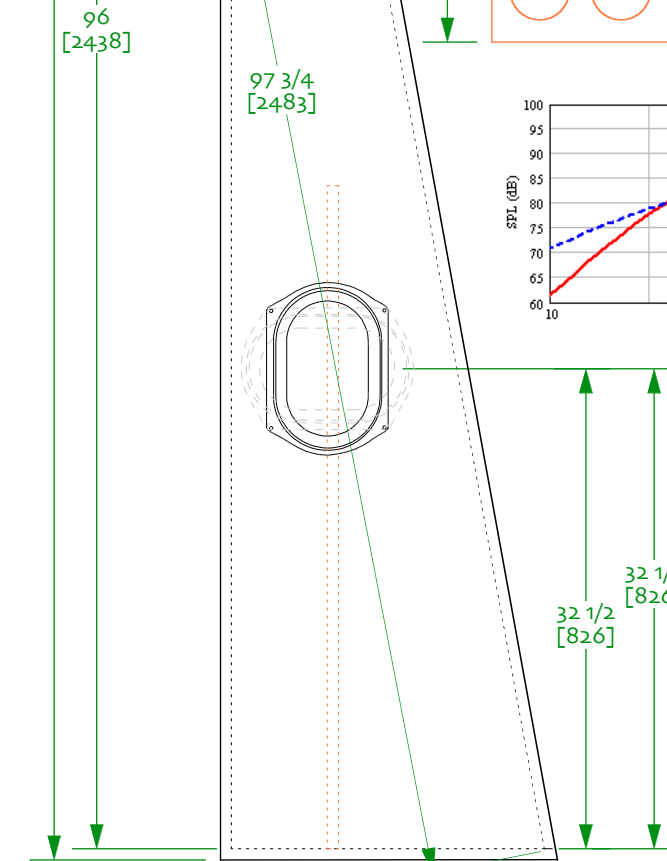
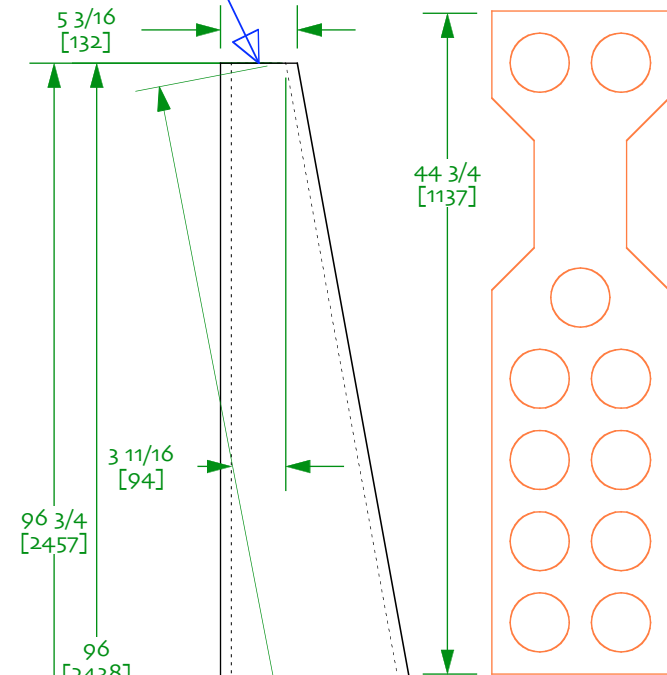
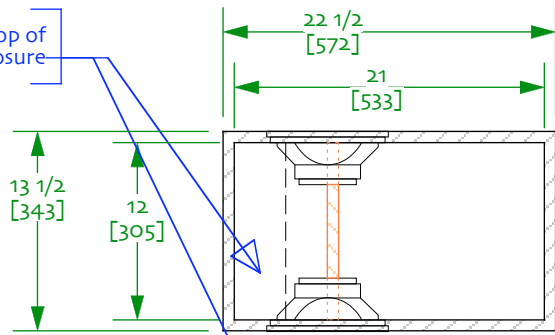


open at top of enclosure



Push-push KEF B139 TL

designed & drawn by David Dlugos
(modeled by S Lindgren using MJK)
04 - november - 2007

- Notes:
- 1/ Nominal 3/4" material
 - 2/ Minimal bracing is shown.
 - 3/ Stuff 0.5 lbs/ft² from the top of the line 80" along
 - 4/ Sim is only for single B139. Gain of 3dB efficiency from 2nd B139