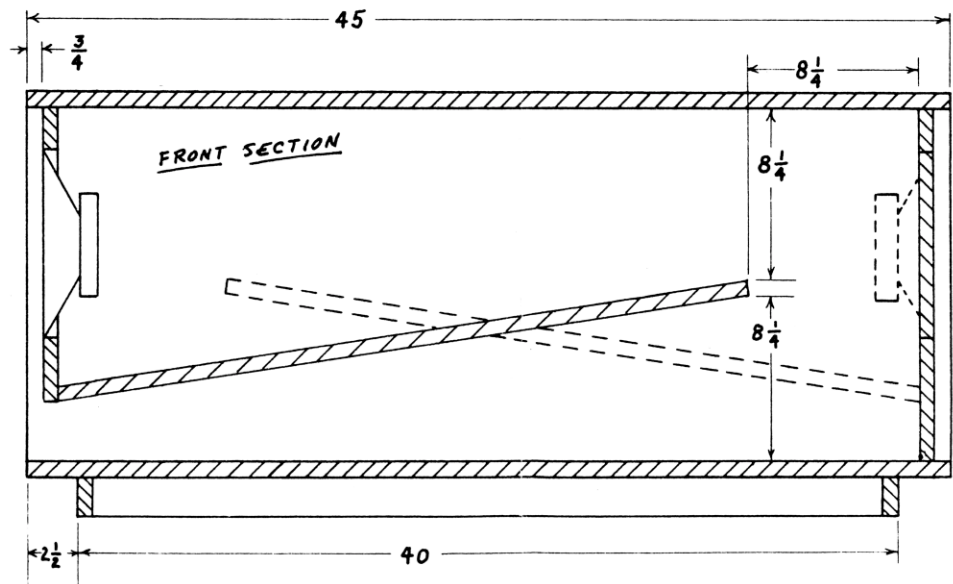
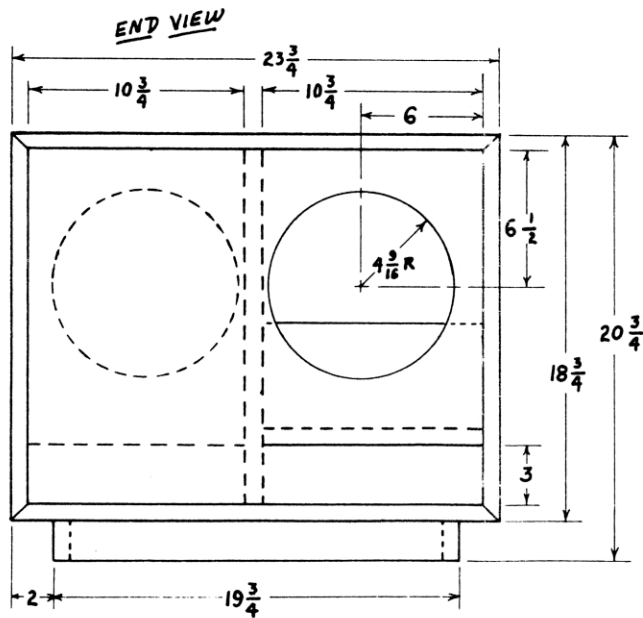
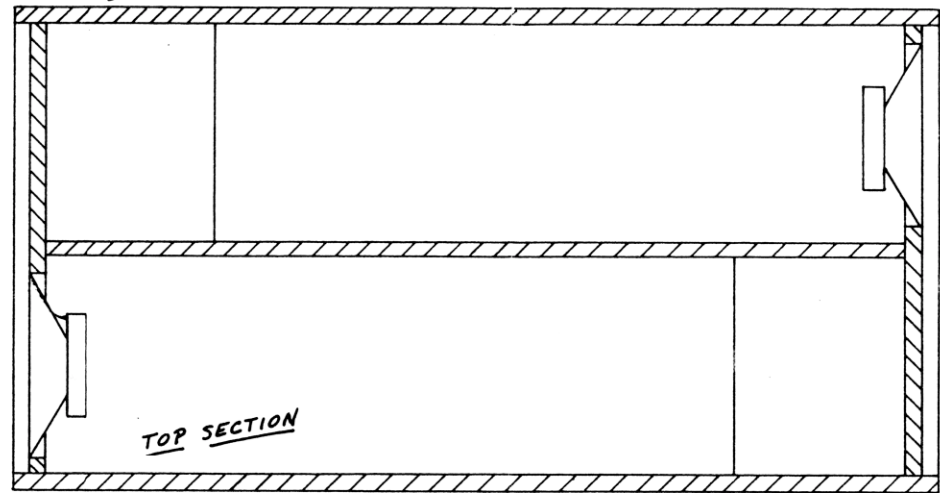


# FRIED MODEL "T" SUBWOOFER (WOOFER SECTION OF "H/2" SYSTEM)

SCALE: 1" = 6"

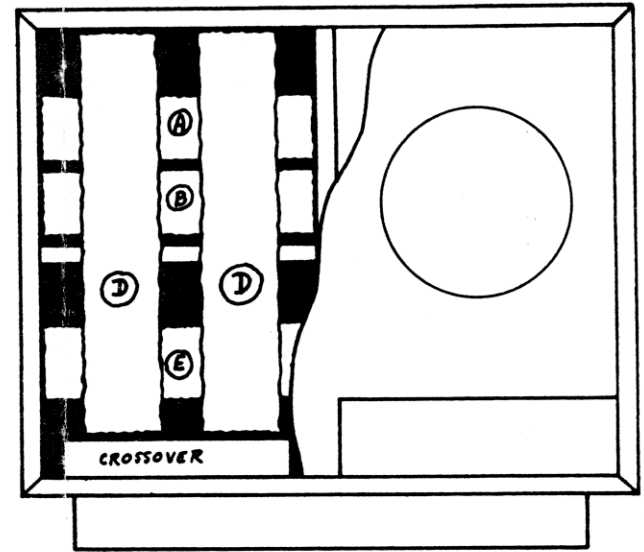
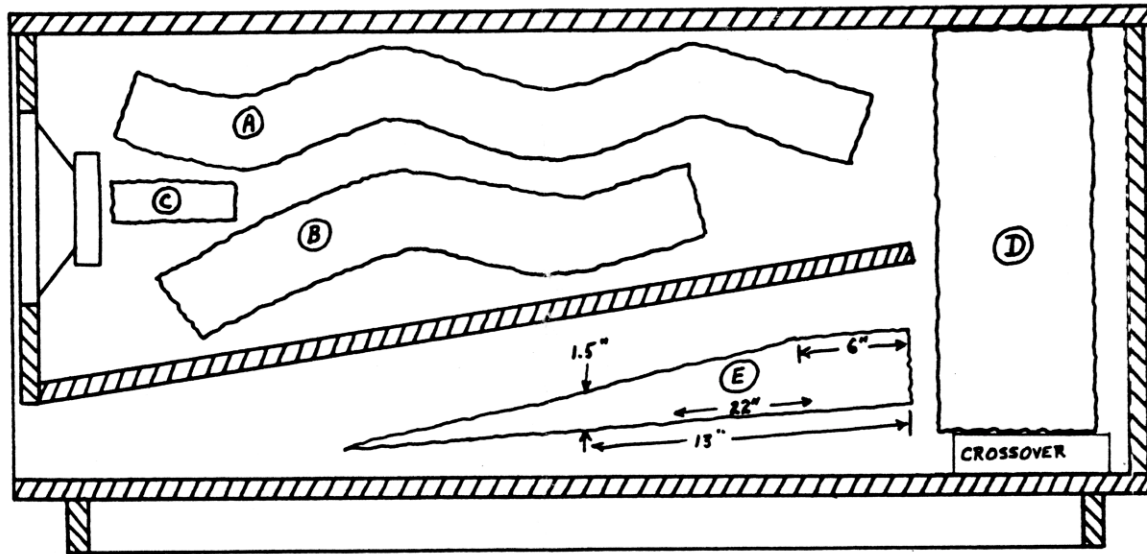
ALL PANELS  $\frac{3}{4}$ "

N.B. SEE TEXT AND DRAWINGS FOR NOTES ON DRIVER MOUNTING.



# "FRIED" MODEL "T" SUBWOOFER (WOOFER OF MODEL H/2 SYSTEM)

## DAMPING DETAILS



	<u>LENGTH</u>	<u>WIDTH</u>	<u>THICKNESS</u>
Ⓐ	34"	11 1/2"	3"
Ⓑ	22"	11 1/2"	3"
Ⓒ	6"	11 1/2"	2"
Ⓓ	15 1/2"	6"	3"
Ⓔ	— SEE DRAWING —		