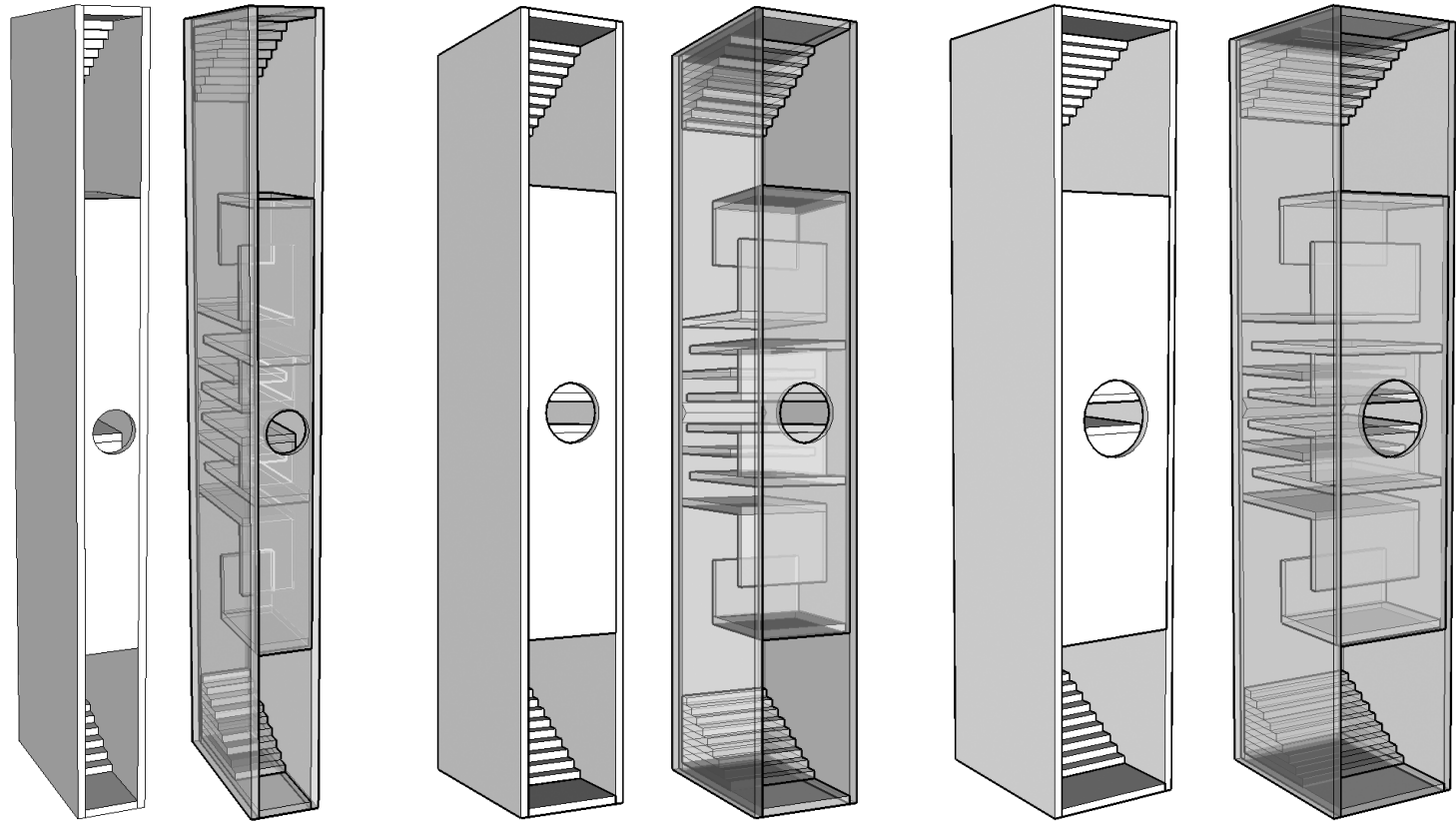




frugal-horn.com

v2 Olson/Nagaoka Manifold Horns

for Fostex FE126En, FE166En, FE206En

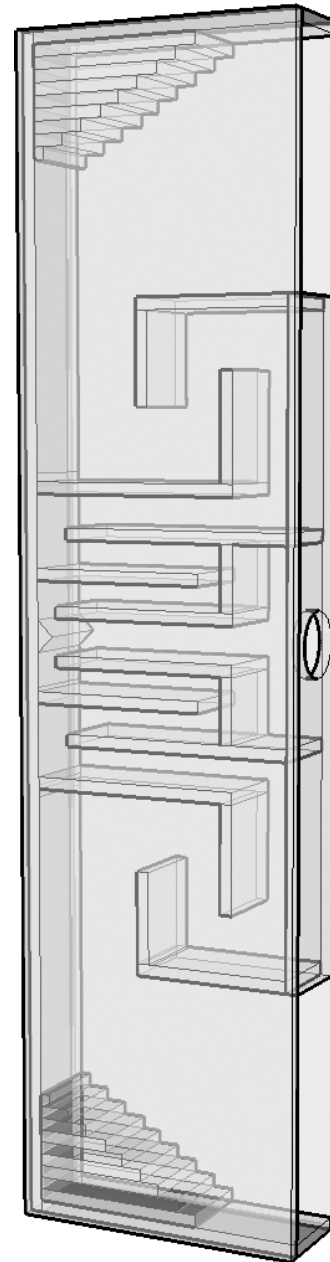
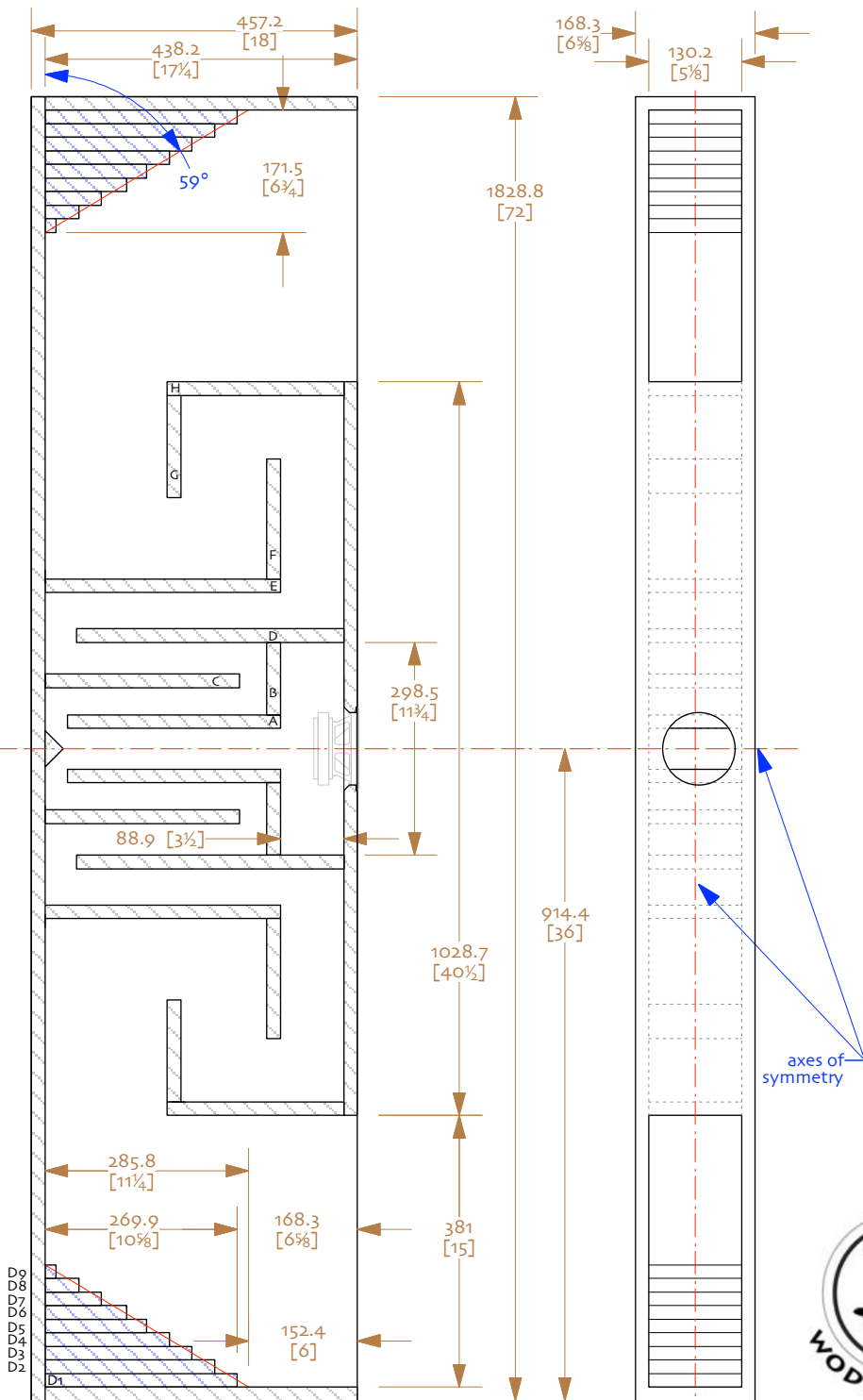


Second generation double-mouth back-horns for Fostex FE x 6En series drive units. Kongō, Haruna, and Kirishima.

Default damping: line 5 faces of the driver chamber with 1/2" (12mm) material; cotton / wool felt or similar (open-cell foam is not recommended), ensuring the throat remains clear. Some loose fill, or lining in throat may be used for fine tuning the upper-corner frequency (lower midrange output) from the mouths. Please adjust to suit individual space / system / taste.

All of the designs featured on frugal-horn.com are made available free for non-commercial use. However, voluntary donations are much appreciated, as they help us to offset the cost of keeping the site running.

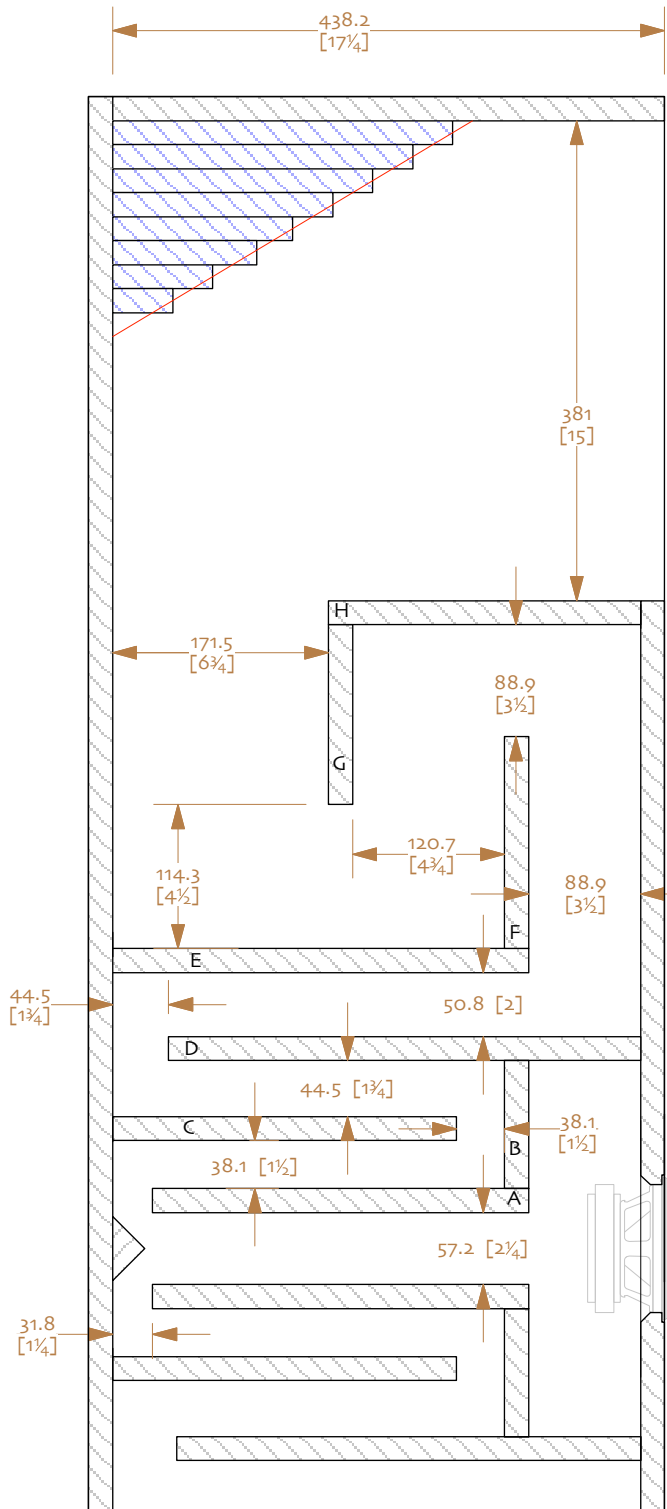
Drawings:
0/ title/notes
1/ Kongō 3/4" plan
2/ Kongō detail
3/ Haruna 3/4" plan
4/ Haruna detail
5/ Kirishima 3/4" plan
6/ Kirishima detail
7/ Kirishima 18mm plan
8/ Kirishima 18mm detail



Kongō Manifold Horn ov92
 FE126En | 07-april-2012
 Sheet 0 - 3/4" plans
 designed by Scott Lindgren | drawn by dld
 © 2007-2012 frugal-horn.com
 free for non-commercial use only

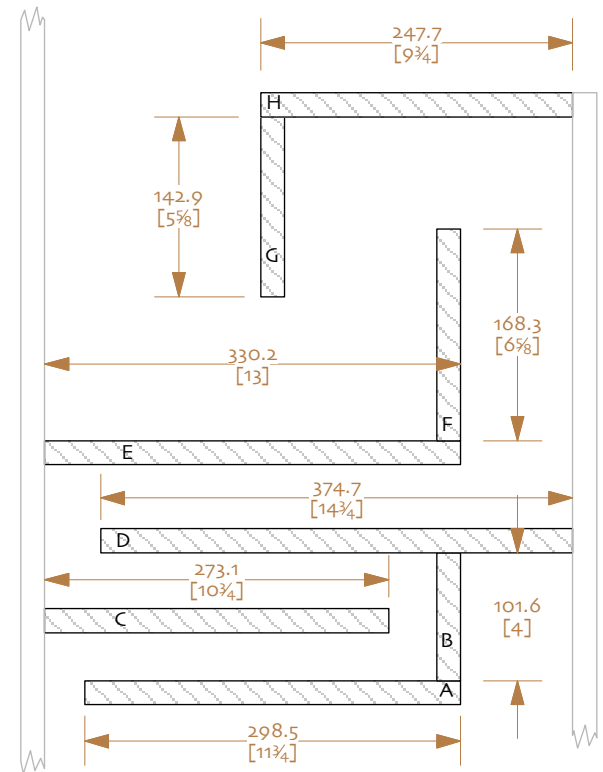
Notes:

- 0/ drawn using 3/4" (19mm) material
- 1/ you may replace the stacked corner deflectors with a single angled piece

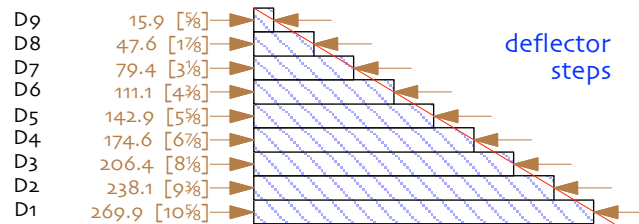
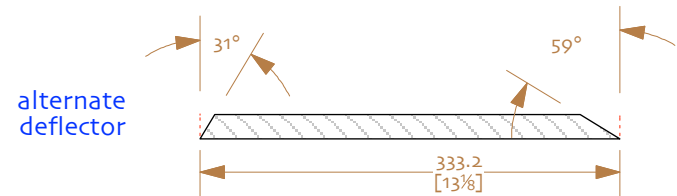


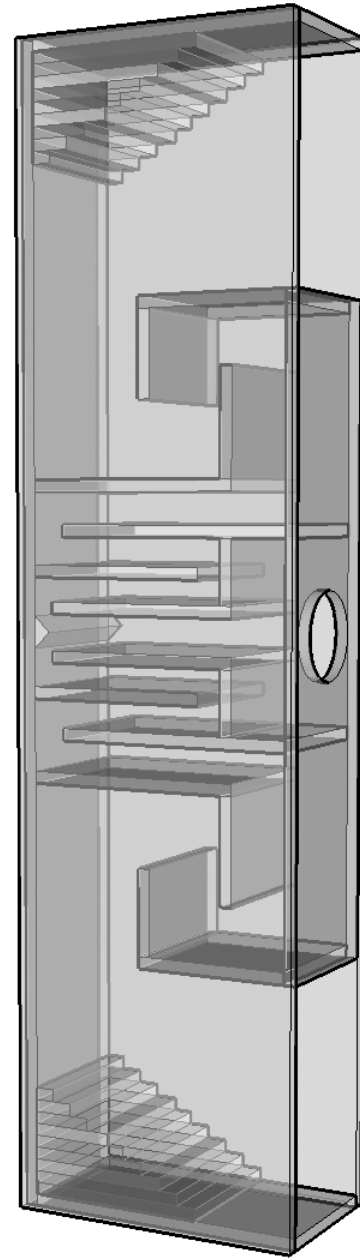
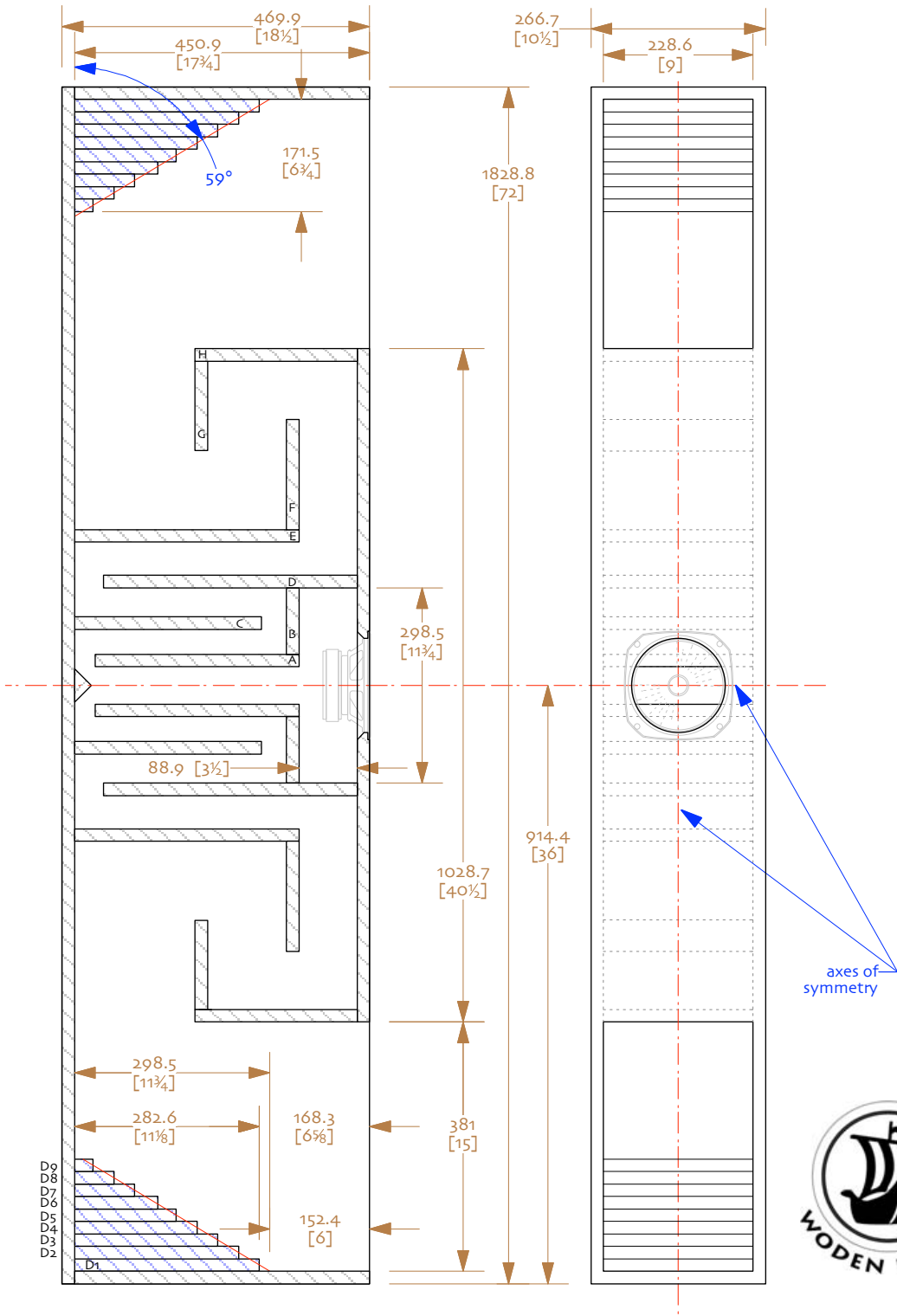
5 1/8" wide pieces

A	11 3/4	2 off
B	4	2 off
C	10 3/4	2 off
D	14 3/4	2 off
E	13	2 off
F	6 5/8	2 off
G	5 5/8	2 off
H	9 3/4	2 off
top/bot	17 1/4	2 off
back	72	1 off
baffle	40 1/2	1 off
D1	10 5/8	2 off
D2	9 3/8	2 off
D3	8 1/8	2 off
D4	6 7/8	2 off
D5	5 5/8	2 off
D6	4 3/8	2 off
D7	3 1/8	2 off
D8	1 7/8	2 off
D9	5/8	2 off
alt def	13 1/8	2 off



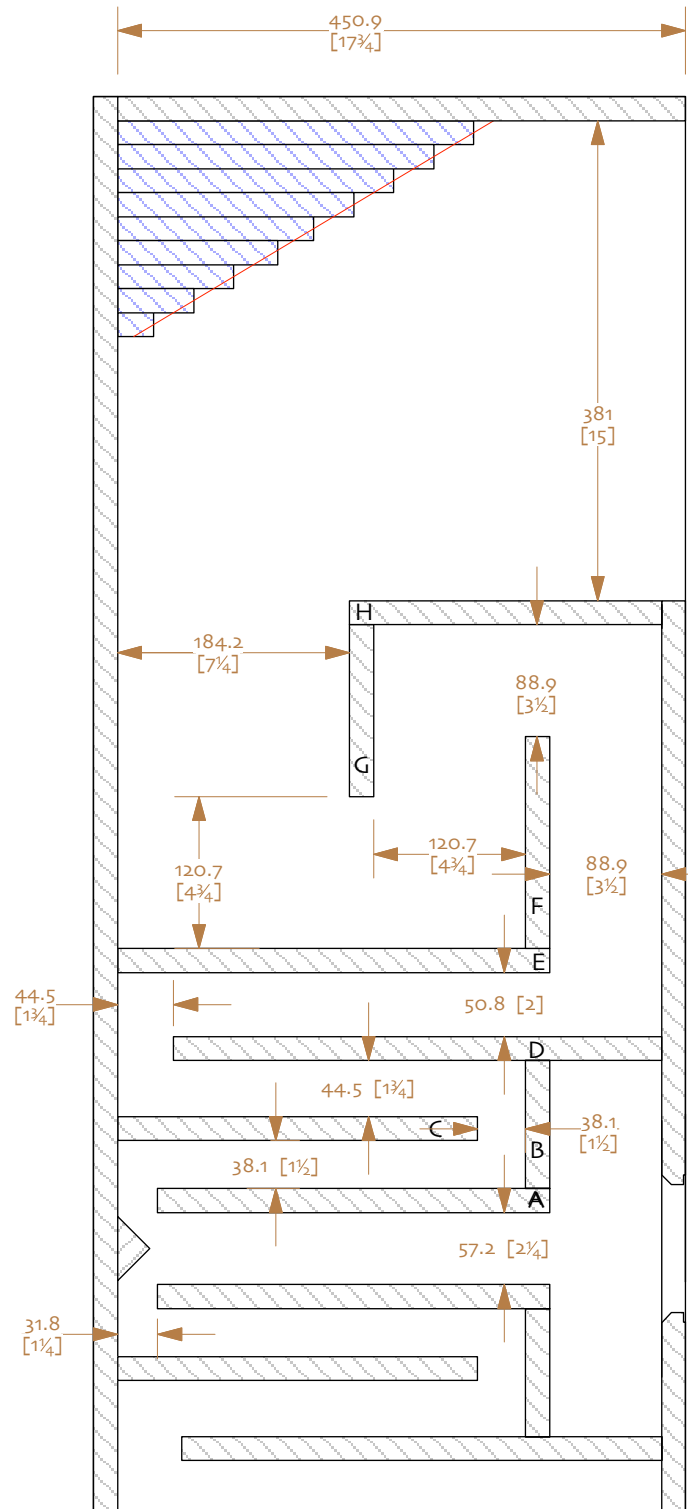
Kongō Manifold Horn ov92
 FE126En | 07-april-2012
 Sheet 0 - 3/4" plan details
 designed by Scott Lindgren | drawn by dld
 © 2007-2012 frugal-horn.com
 free for non-commercial use only





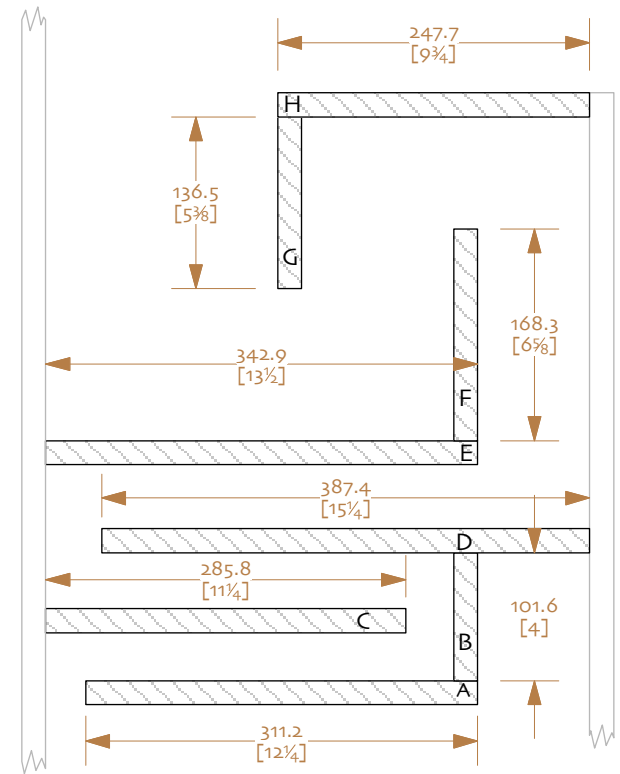
Haruna Manifold Horn ov93
 FE166En | 07-april-2012
 Sheet 0 - 3/4" plans
 designed by Scott Lindgren | drawn by dld
 © 2007-2012 frugal-horn.com
 free for non-commercial use only

Notes:
 o/ drawn using 3/4" (19mm) material
 1/ you may replace the stacked corner deflectors with a single angled piece



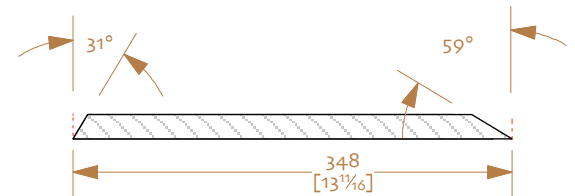
9" wide pieces

A	12 1/4	2 off
B	4	2 off
C	11 1/4	2 off
D	15 1/4	2 off
E	13 1/2	2 off
F	6 5/8	2 off
G	5 3/8	2 off
H	9 3/4	2 off
top/bot	17 3/4	2 off
back	72	1 off
baffle	40 1/2	1 off
D1	11 1/8	2 off
D2	9 7/8	2 off
D3	8 5/8	2 off
D4	7 3/8	2 off
D5	6 1/8	2 off
D6	5	2 off
D7	3 5/8	2 off
D8	2 3/8	2 off
D9	1 1/8	2 off
alt def	13 11/16	2 off

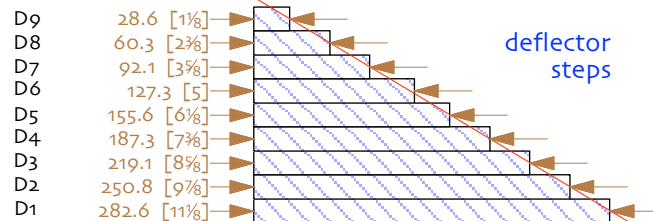


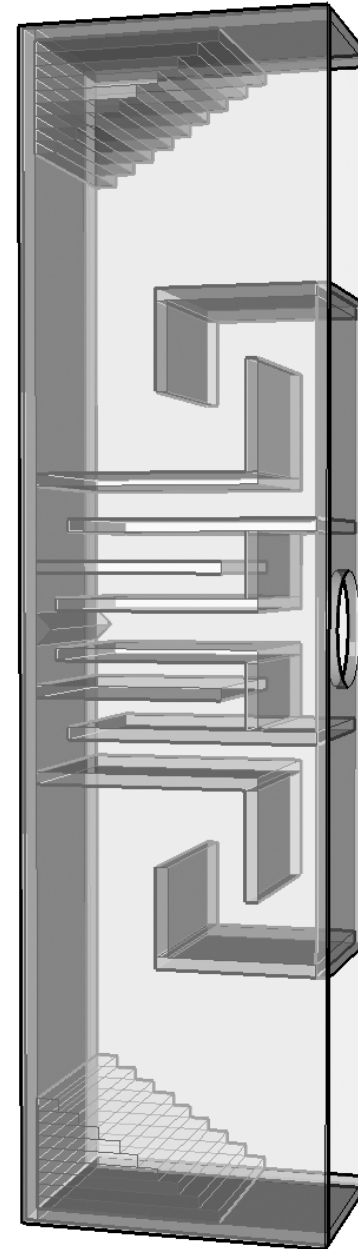
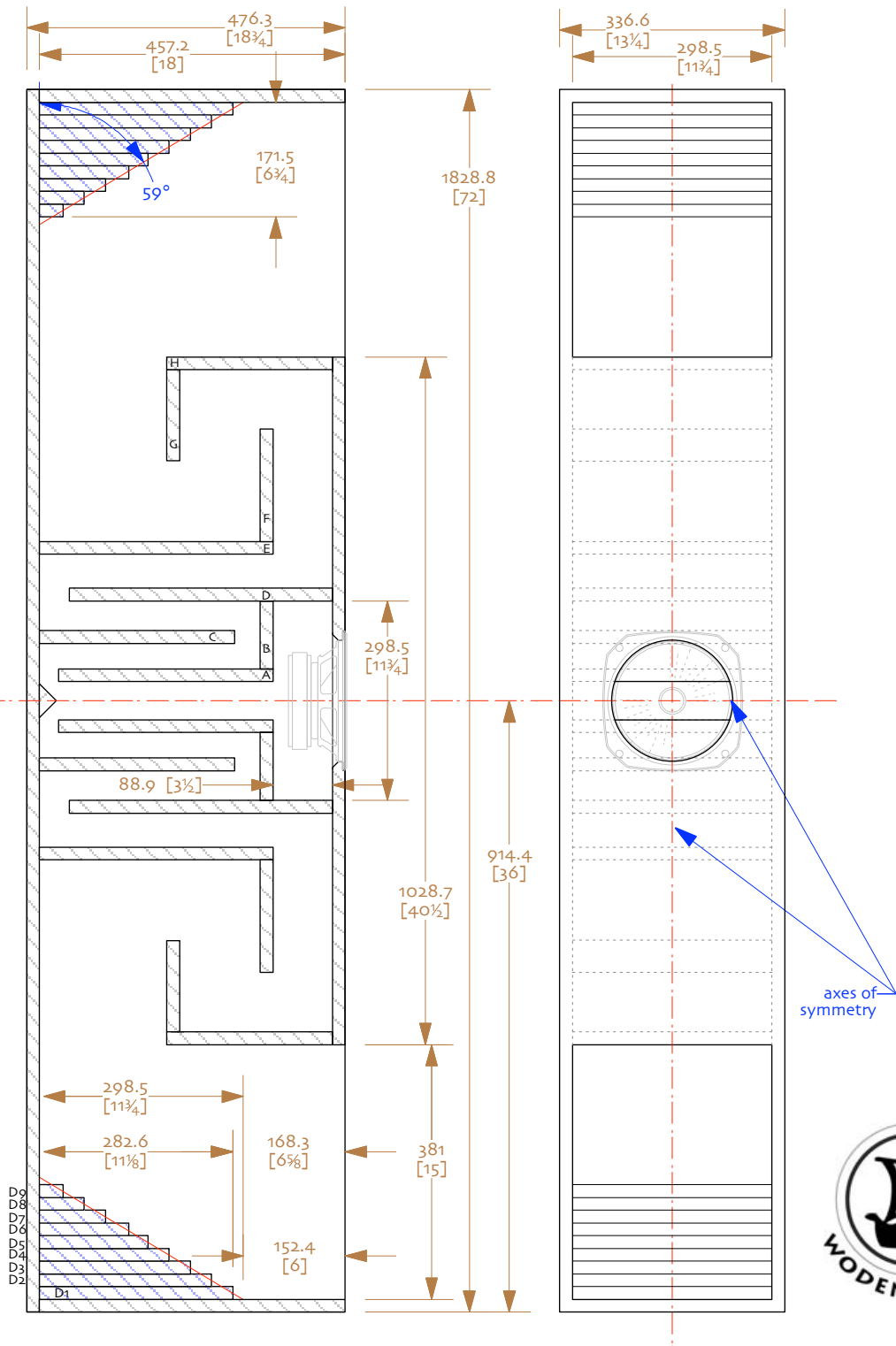
Haruna Manifold Horn ov93
 FE166En | 07-april-2012
 Sheet 0 - 3/4" plan details
 designed by Scott Lindgren | drawn by dld
 © 2007-2012 frugal-horn.com
 free for non-commercial use only

alternate deflector



deflector steps

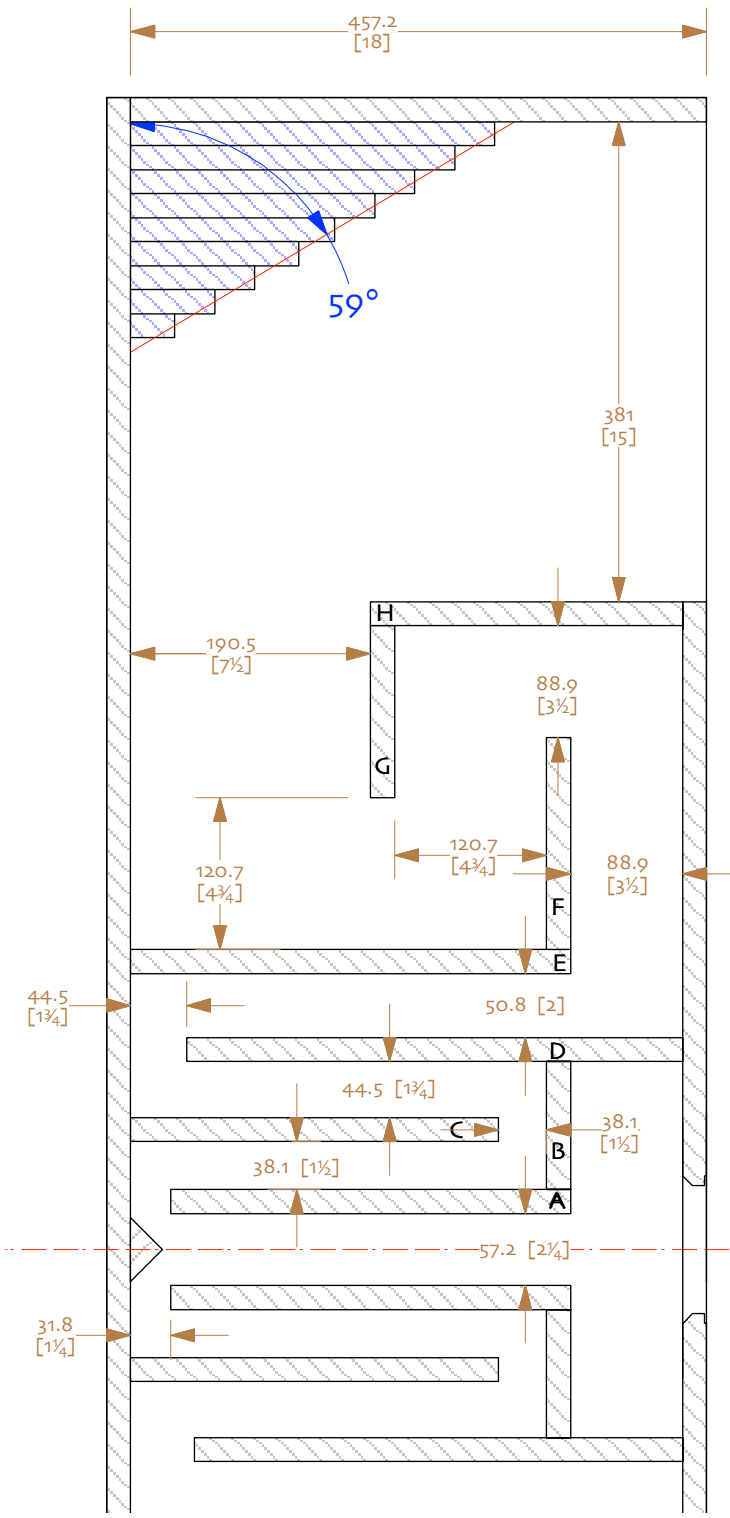




Kirishima Manifold Horn ov92
 FE206En | 07-april-2012
 Sheet 0 - 3/4" plans
 designed by Scott Lindgren | drawn by dld
 © 2007-2012 frugal-horn.com
 free for non-commercial use only

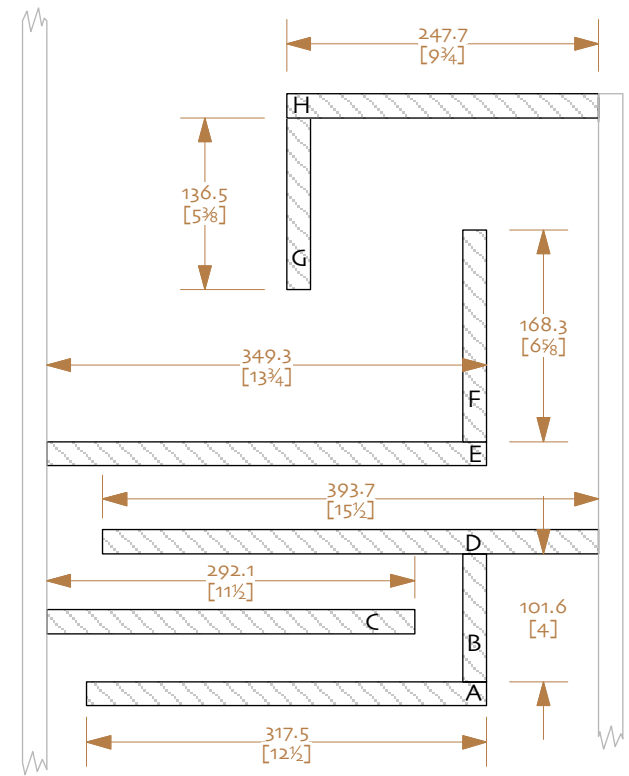
Notes:

o/ drawn using 3/4" (19mm) material
 1/ you may replace the stacked corner deflectors with a single angled piece

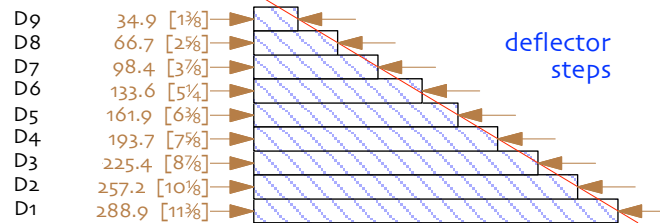
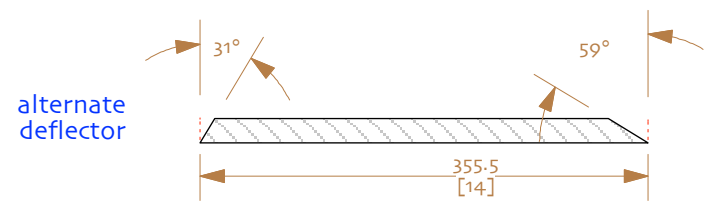


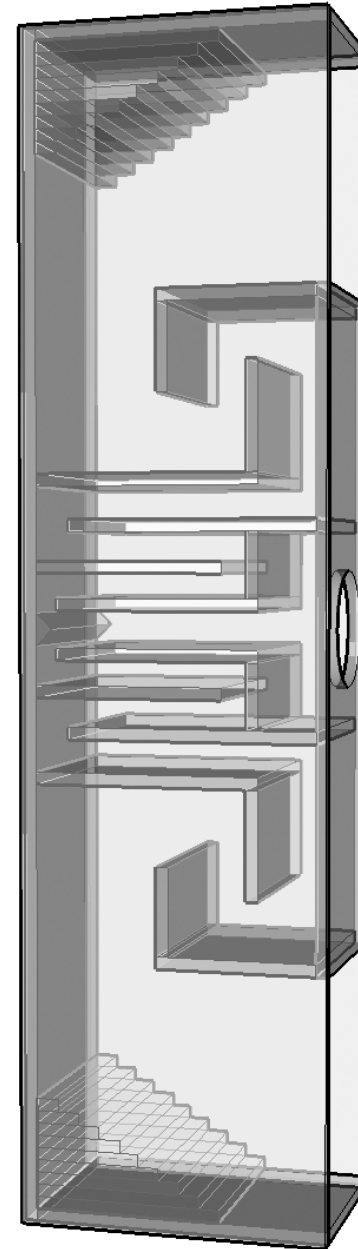
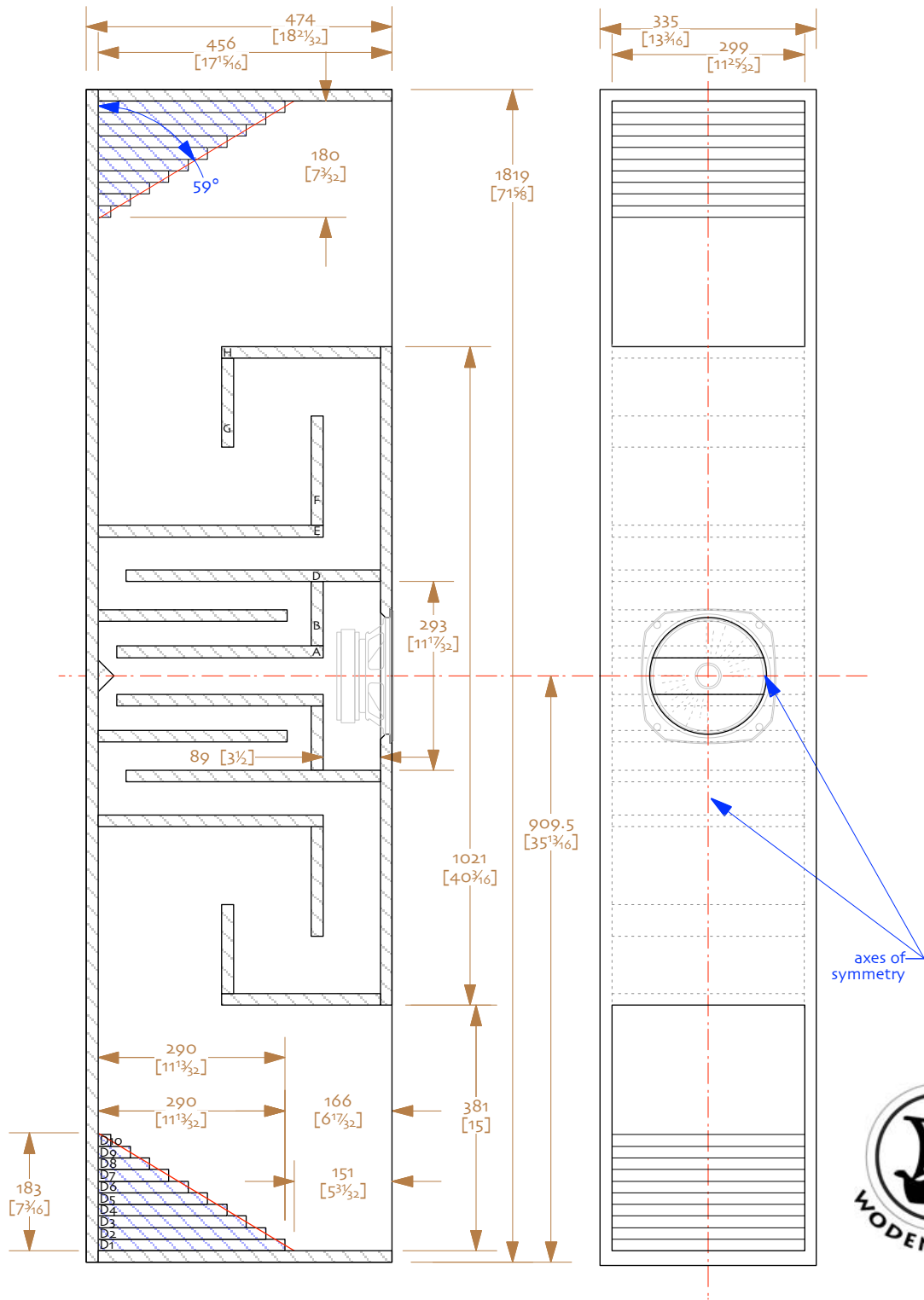
11 1/4" wide pieces

A	12 1/2	2 off
B	4	2 off
C	11 1/2	2 off
D	15 1/2	2 off
E	13 3/4	2 off
F	6 5/8	2 off
G	5 3/8	2 off
H	9 3/4	2 off
top/bot	18	2 off
back	72	1 off
baffle	40 1/2	1 off
D1	11 3/8	2 off
D2	10 1/8	2 off
D3	8 7/8	2 off
D4	7 5/8	2 off
D5	6 3/8	2 off
D6	5 1/8	2 off
D7	3 7/8	2 off
D8	2 5/8	2 off
D9	1 1/8	2 off
alt def	14	2 off



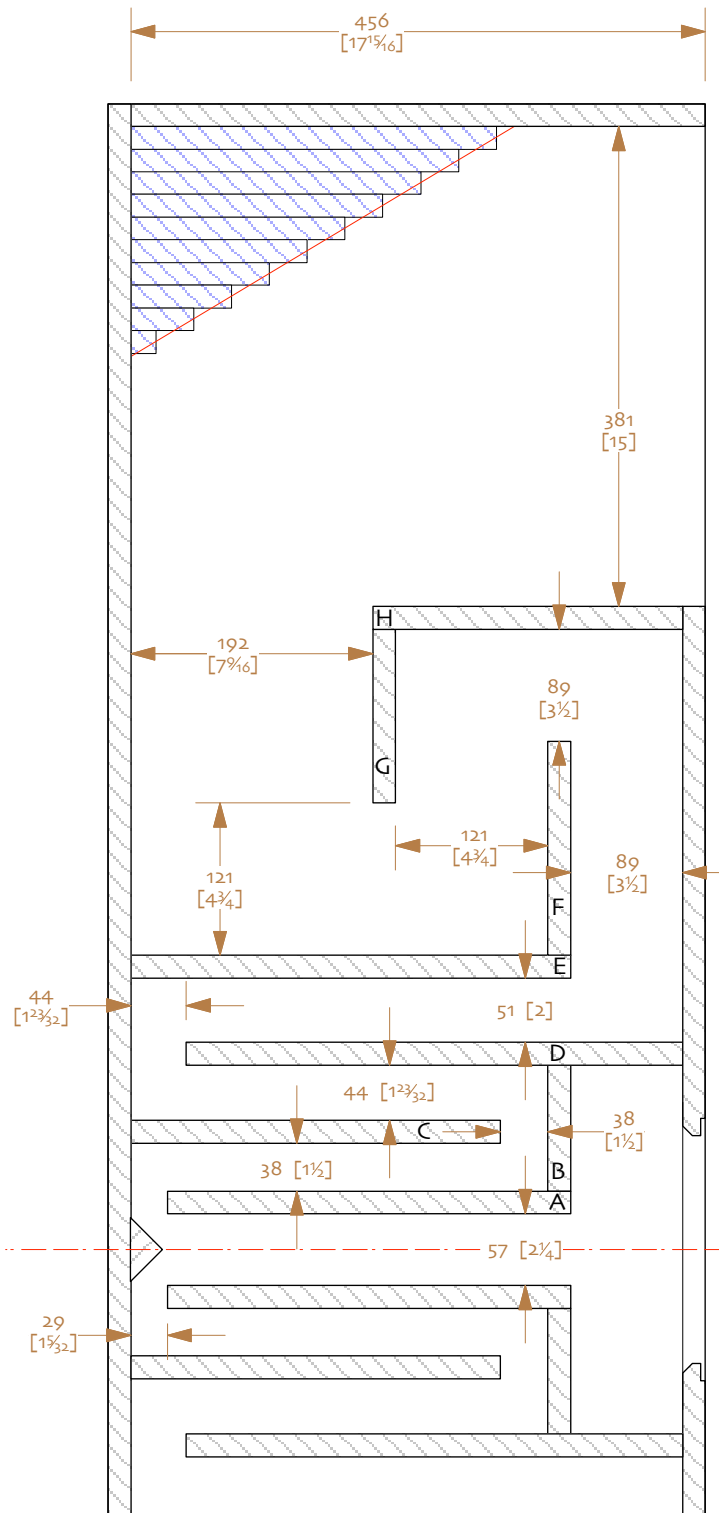
Kirishima Manifold Horn ov92
 FE206En | 07-april-2012
 Sheet 0 - 3/4" plan details
 designed by Scott Lindgren | drawn by dld
 © 2007-2012 frugal-horn.com
 free for non-commercial use only





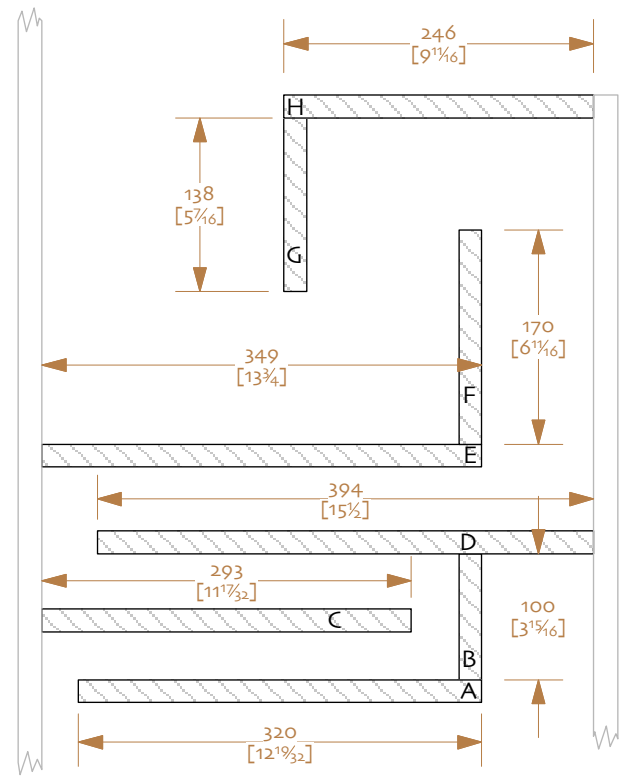
Kirishima Manifold Horn ov92
 FE206En | 07-april-2012
 Sheet 0 – 18mm plans
 designed by Scott Lindgren | drawn by dld
 © 2007-2012 frugal-horn.com
 free for non-commercial use only

Notes:
 o/ drawn using 18mm (19mm)
 material
 1/ you may replace the stacked
 corner deflectors with a single
 angled piece



299mm wide pieces

A	320	2 off
B	100	2 off
C	293	2 off
D	394	2 off
E	349	2 off
F	170	2 off
G	138	2 off
H	246	2 off
top/bot	456	2 off
back	1819	1 off
baffle	1021	1 off
D1	290	2 off
D2	260	2 off
D3	230	2 off
D4	200	2 off
D5	170	2 off
D6	140	2 off
D7	110	2 off
D8	80	2 off
D9	50	2 off
D10	20	2 off
alt def	356	2 off



Kirishima Manifold Horn ov92
 FE206En | 07-april-2012
 Sheet 0 - 18mm plan details
 designed by Scott Lindgren | drawn by dld
 © 2007-2012 frugal-horn.com
 free for non-commercial use only

