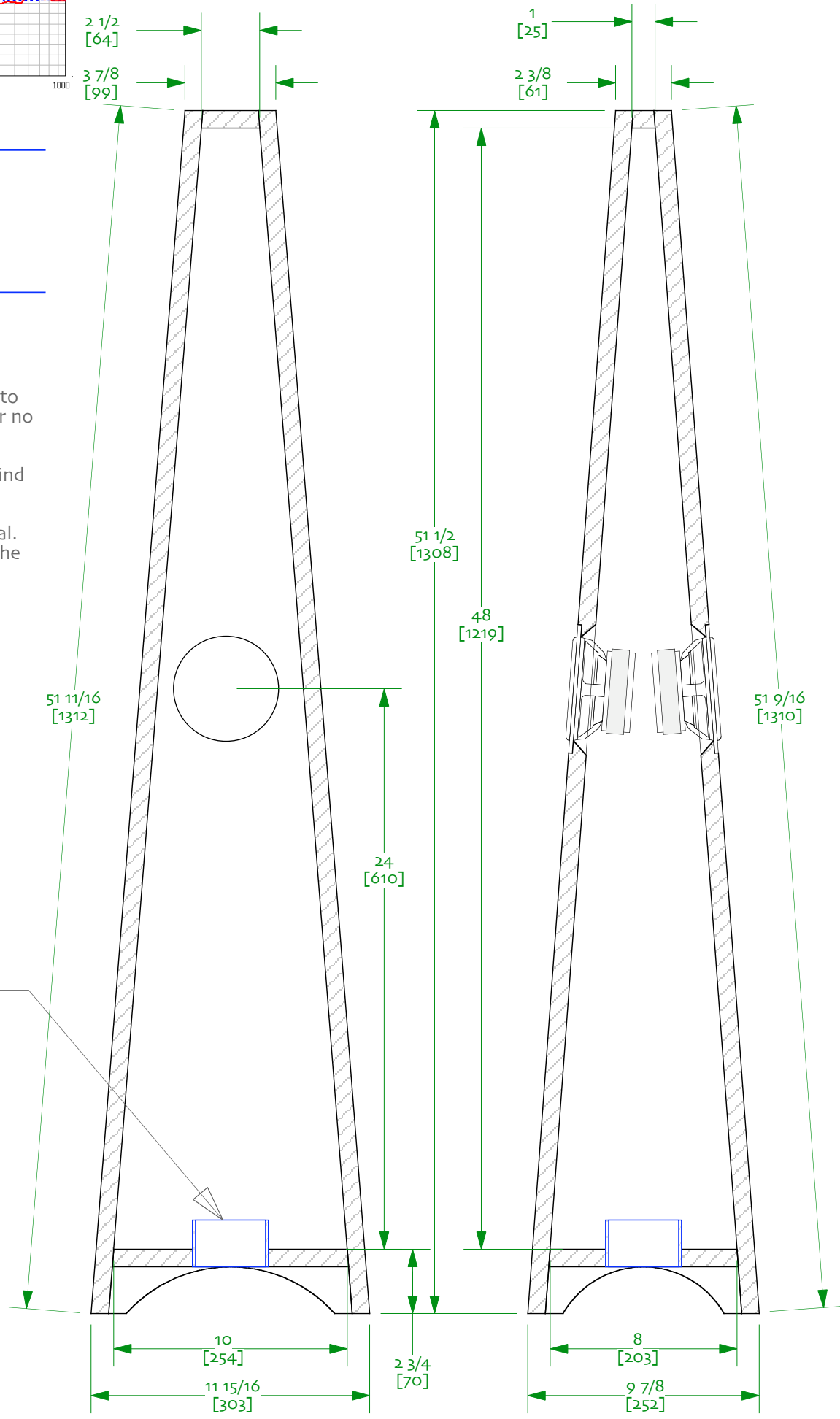


Metronome P13W ov9
 an ML-QQWT for the VIFA P13W
 concept by Steve Cresswell
 designed by Scott Lindgren
 28-august-2007
 drawn by dld

- Notes:
- 1/ dimensions for 3/4" (19mm) plywood
 - 2/ line internal panel behind driver to reduce reflections. Use very little or no other damping in the box to taste.
 - 3/ a just off-centre holey brace behind driver (not shown) is highly recommended but optional. Configuration of holes is non-critical. Drivers should fit snugly against the brace



3" (76mm) diameter, 2" (51mm) long port