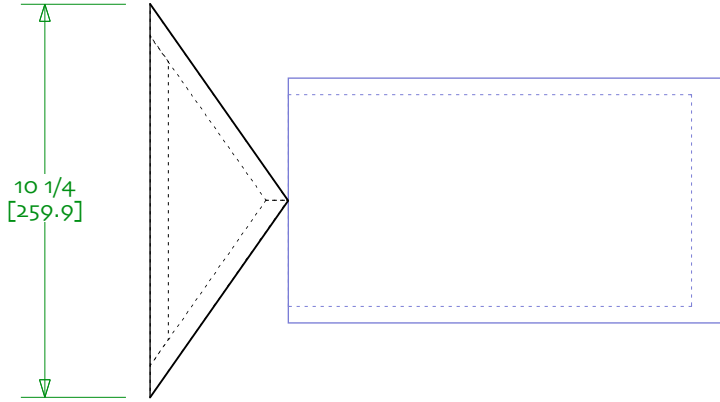


EdHorn Deflector
for The Hornshoppe Horn
designed by Ron Clarke (20/03/06)
drawn by dld
23-june-2007



Notes:

o/ to aid bass performance in situations where wall placement is dictated. May help in corners.
1/ solid fill is suggested

