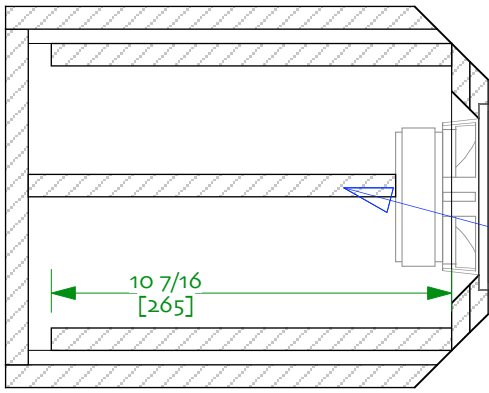


Notes:

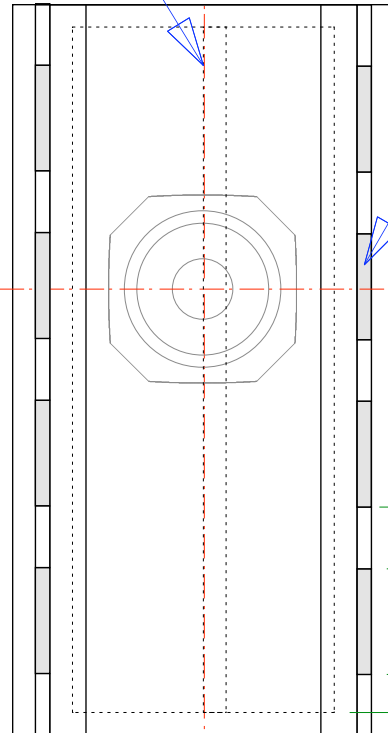
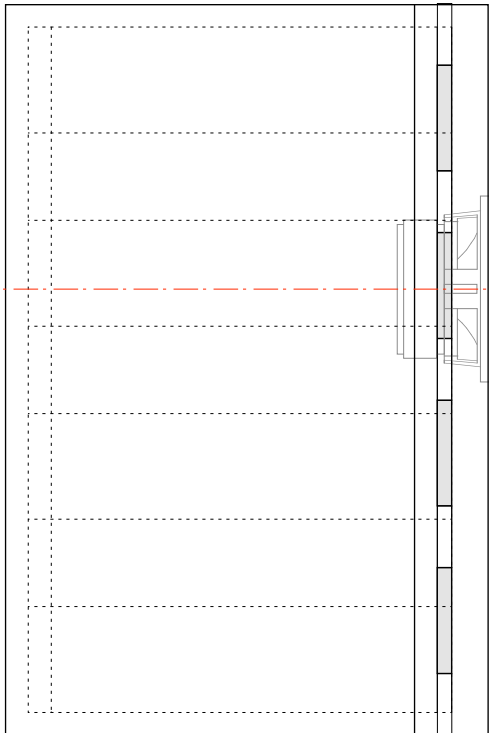
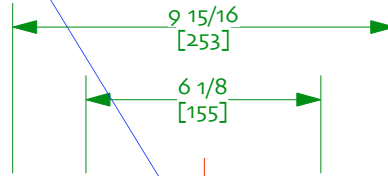
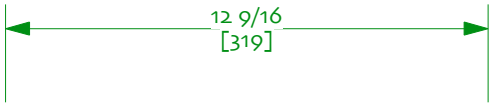
0/ designed for ostex FX120/F120A

1/ target volume 20 liters =  $\pi r^2 h$

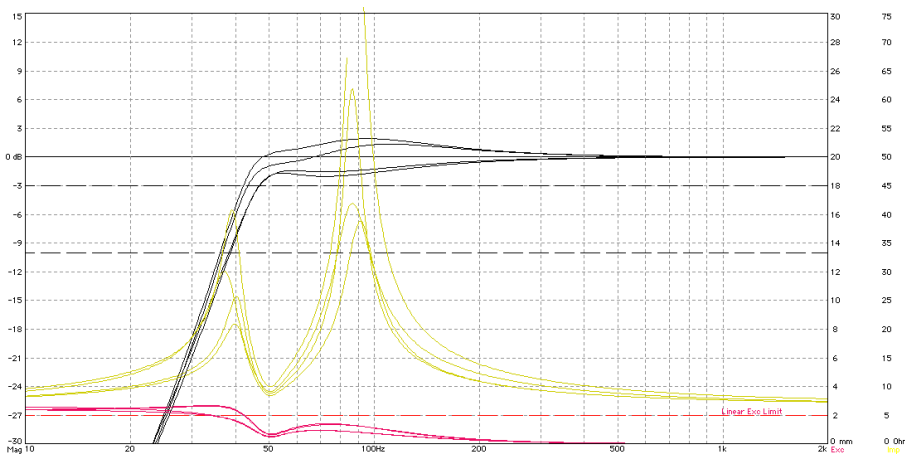
2/ All panels 15mm thick baffle is 2x12mm



Holey driver brace needs to be 35-40% holes and the cut-out for the magnet such that the driver is braced firmly against it but without stressing driver.



4 slots per side, 9.5mm wide x 70mm tall x 260mm deep. Note that the slot spacers reach all the way to the back of the cabinet



FX120/F120A Fonken-steen ov81

© 2008 planet\_10 enterprises limited  
07- june -2008/minor updates 14-august-2008  
designed & drawn by dld  
free for non-commercial use only